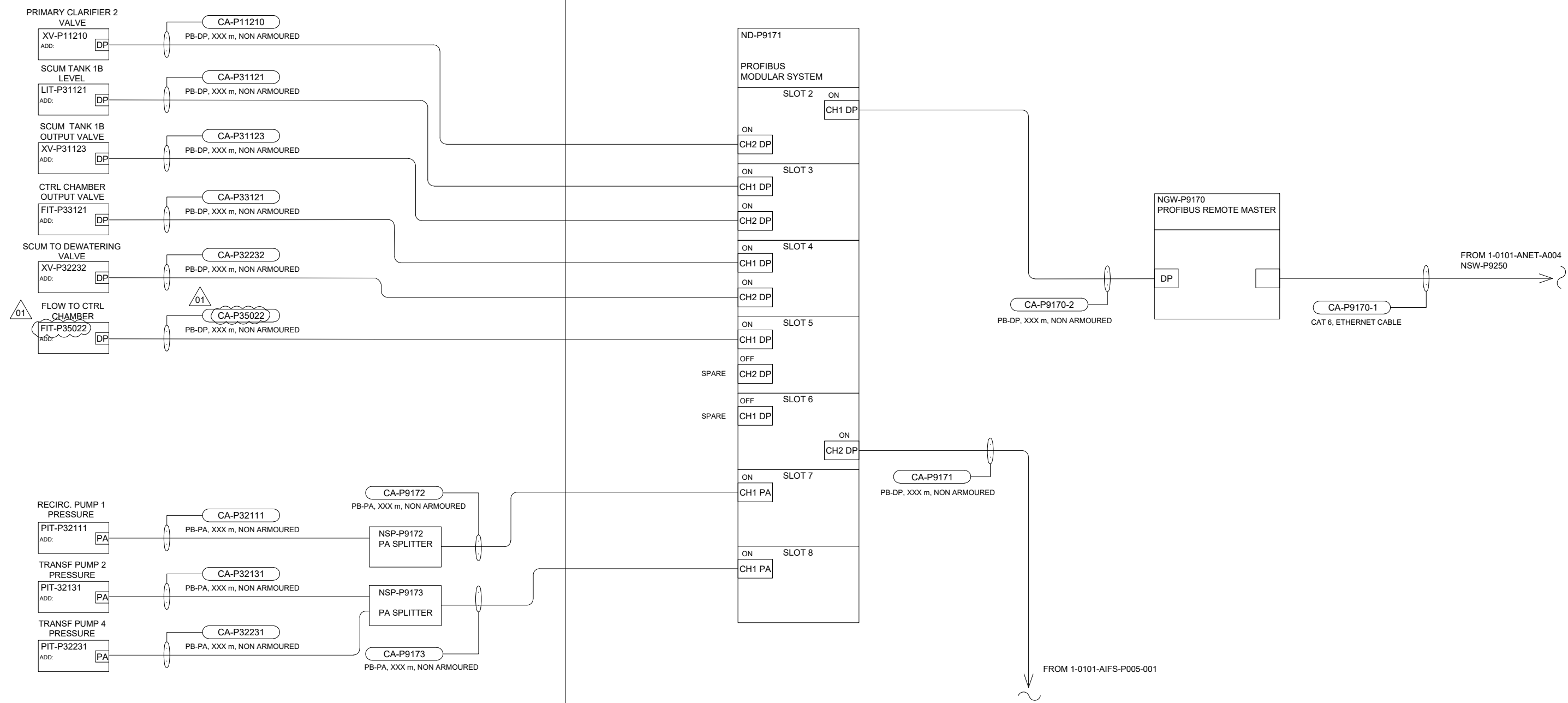


LAST SAVE: 2023/10/27 - 3:31pm
 PATH: C:\Users\lualesd\ACCDocs\AECOM\City of Winnipeg - NEWPCC Upgrades 2021\900 Design Collaboration\60661262 Primary Clarifier Upgrade\A - Automation\IFS1-0101-AIFS-P004-001.dwg
 B SIZE - 279mm x 432mm

FIELD PRIMARY CLARIFIERS

NETWORK PANEL NP-P9900



- NOTES:
- CONTRACTOR WILL PROVIDE THE LENGTH BASED ON LOCATION OF FIELD INSTALLATION
 - ALL PROFIBUS CABLES TO BE INSTALLED ON TRAYS

**ENGINEERS
GEOSCIENTISTS
MANITOBA**

Certificate of Authorization
AECOM Canada Ltd.

No. 4671 Date: 2023-08-17

NO.	REVISIONS	DATE	DESIGN	CHECK
01	ISSUED FOR ADDENDUM 3	2023-10-27	DR	SB
00	ISSUED FOR TENDER	2023-08-17	DR	SB



DESIGNED BY: DR		CHECKED BY: SB	
DRAWN BY: DR		APPROVED BY: NW	
SCALE: NTS		DATE: 2020 / 12 / 09	
ISSUED FOR CONSTRUCTION			
BY:		DATE:	
CONSULTANT NO.: P1-I617			

ENGINEER'S SEAL

THE CITY OF WINNIPEG
WATER AND WASTE DEPARTMENT

NORTH END SEWAGE TREATMENT PLANT
PRIMARY CLARIFICATION PROJECT
AUTOMATION
PRIMARY CLARIFIERS - PROFIBUS SEGMENT
NP-P9900

CITY DRAWING NUMBER 1-0101-AIFS-P004	SHEET 001	REV. 01	SIZE B
--	---------------------	-------------------	------------------